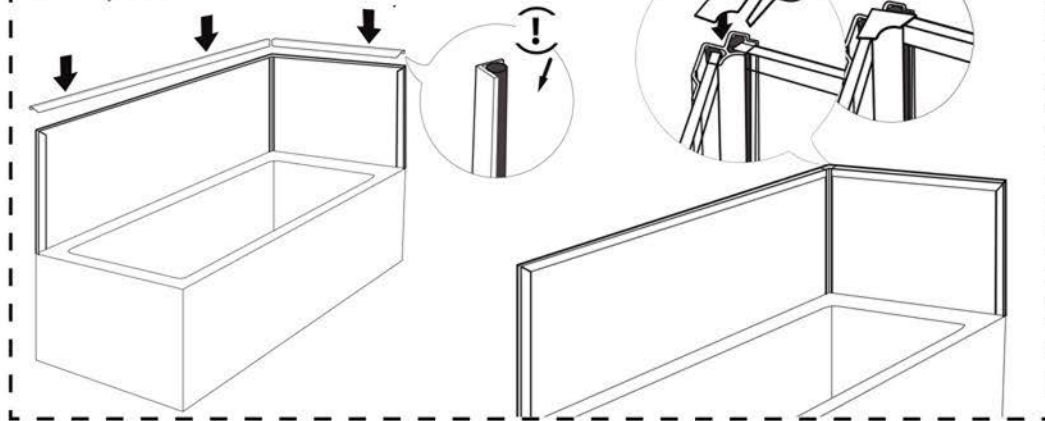
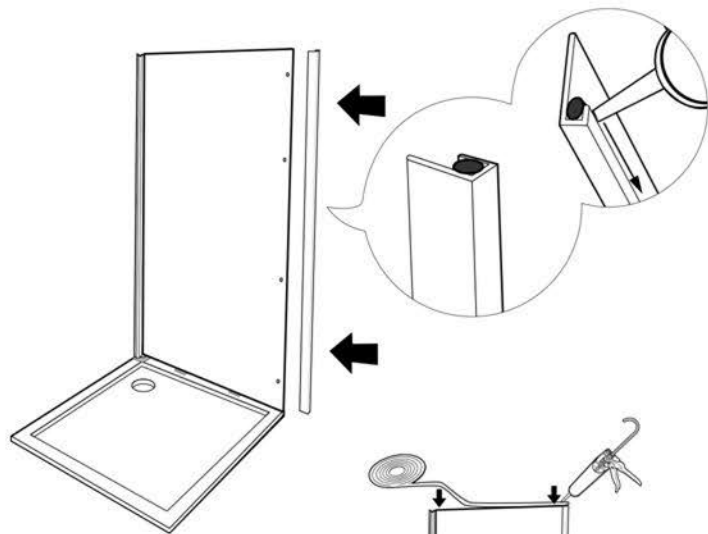


Bath panel configuration

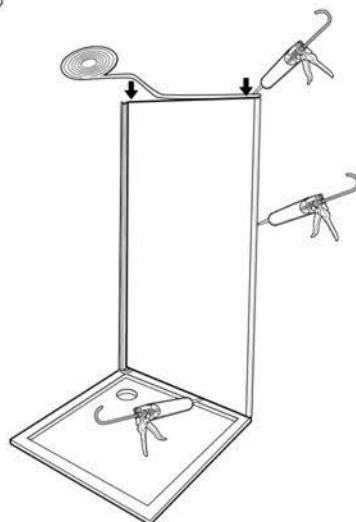
(on request)



6

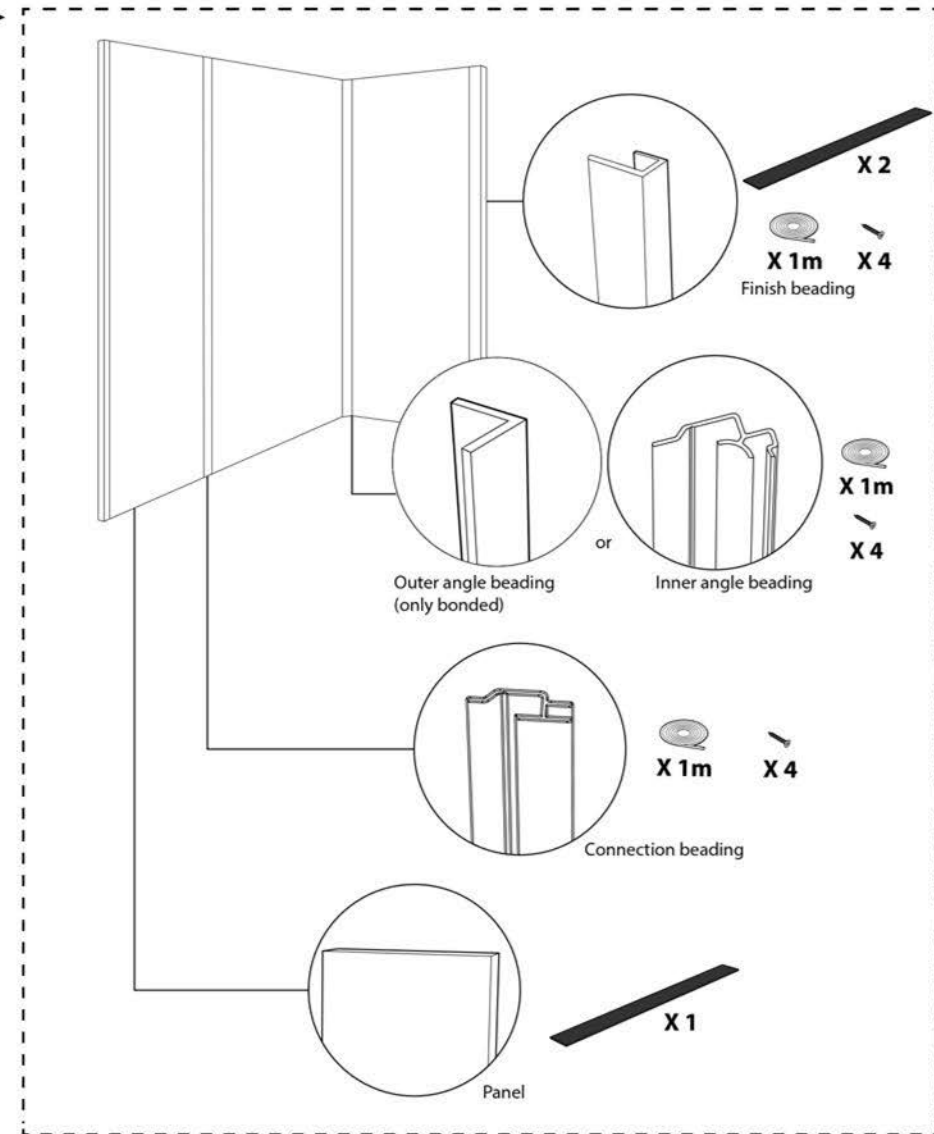


7



8/8

WATERPROOF WALL INSTALLATION



NOT_DECO_Decolast_Finition_Murale_Detail_EN

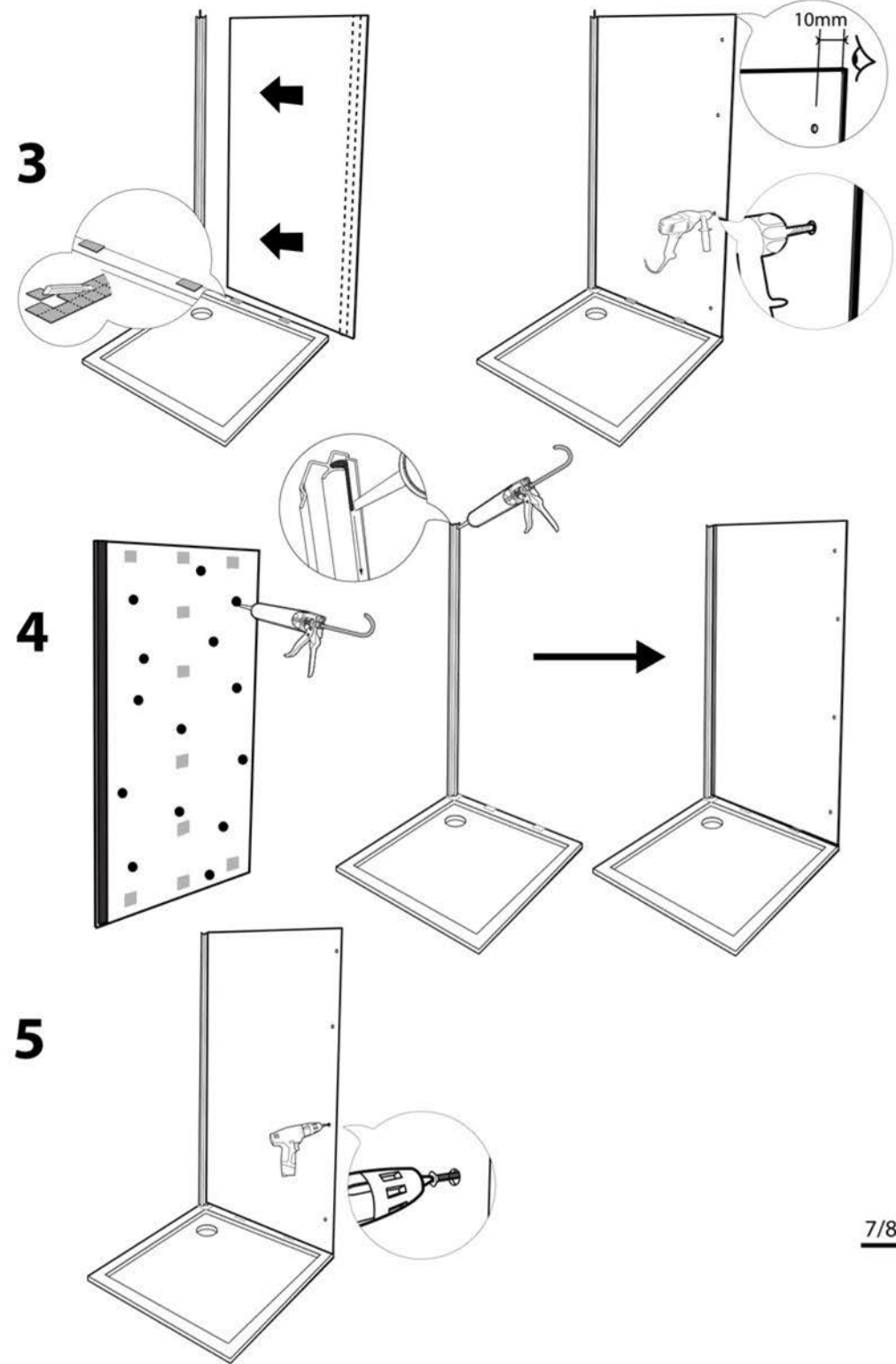
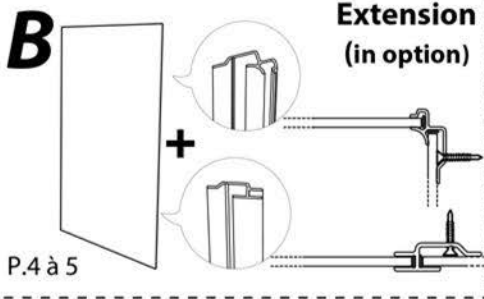
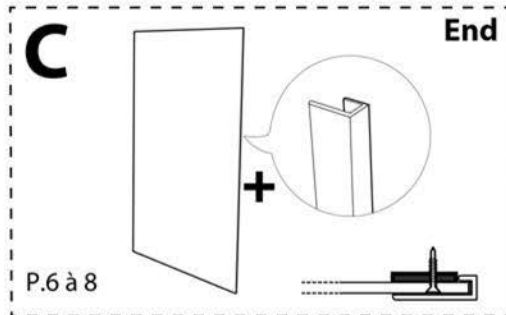
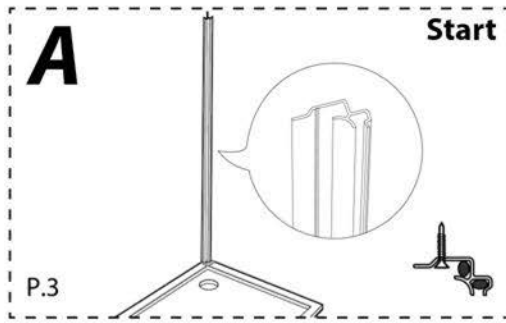
LAZER
361, bd Mireille Lauze 13011 Marseille - France
Tél. (33) 04 91 80 15 60 - Fax (33) 04 91 79 42 61
E-mail info@lazer.fr
www.lazer.fr

1/8

A FRESH LOOK AT YOUR BATHROOM

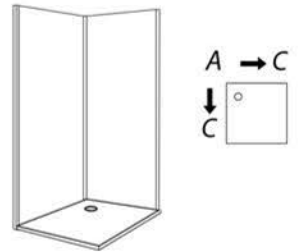


MOUNTING PRINCIPLE

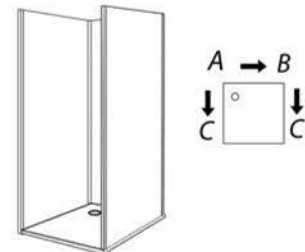


OTHER CONFIGURATIONS

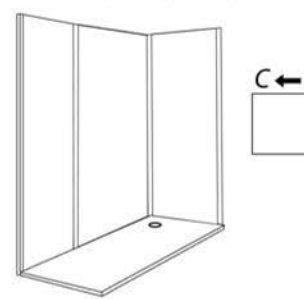
STANDARD PACK
Ref. 400320/400321/400327/400328



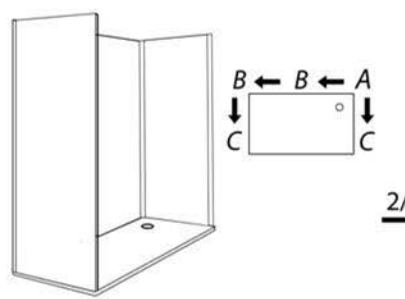
STANDARD + ANGLE PACK
Ref. 400320/400321/400327/400328
Ref. 400325/400326/400327/400328



STANDARD + EXTENSION PACK
Ref. 400320/400321/400327/400328
Ref. 400325/400326/400331/400332

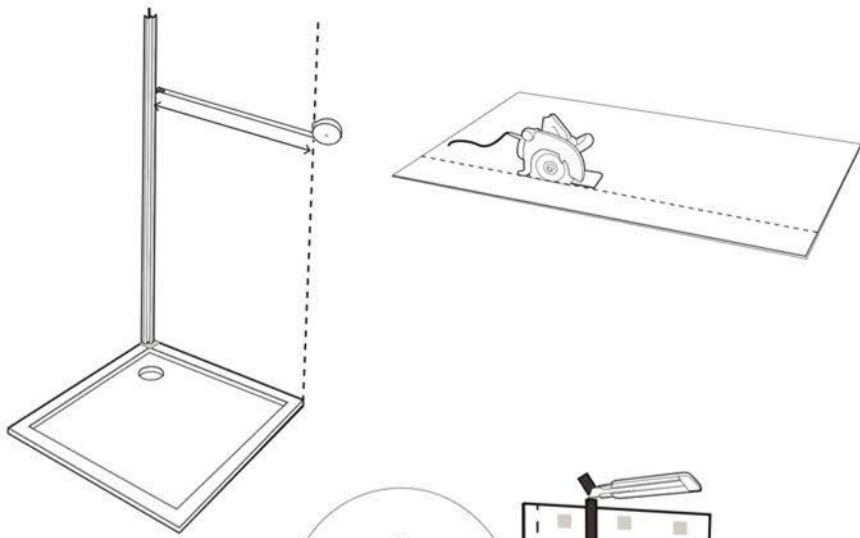


STANDARD + EXTENSION + ANGLE PACK
Ref. 400320/400321/400327/400328
Ref. 400322/400323/400329/4003230
Ref. 400325/400326/40031/400332

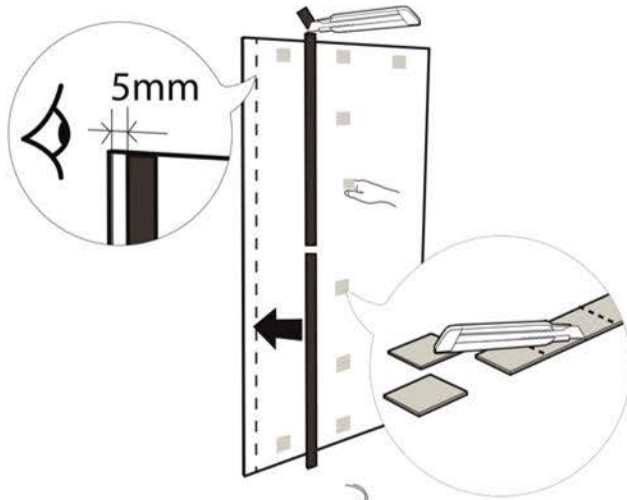


→ C

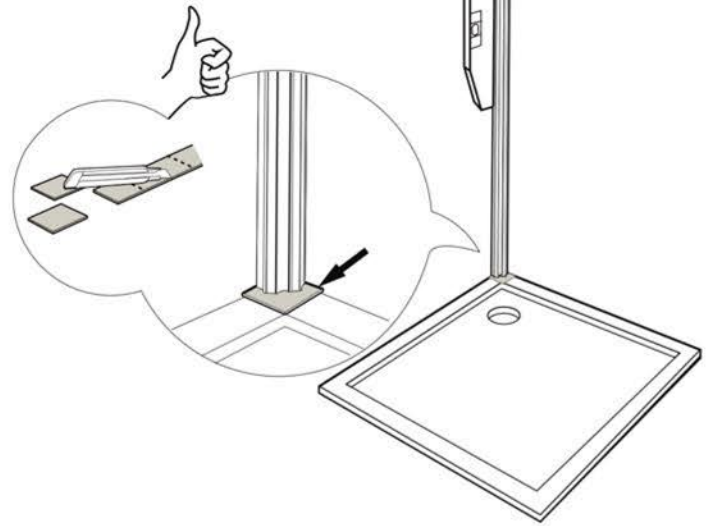
1



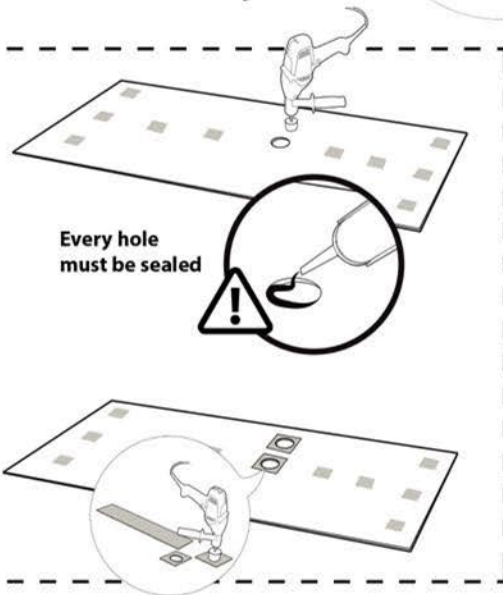
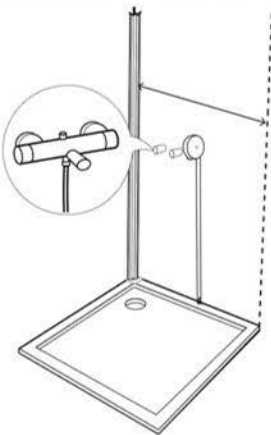
2



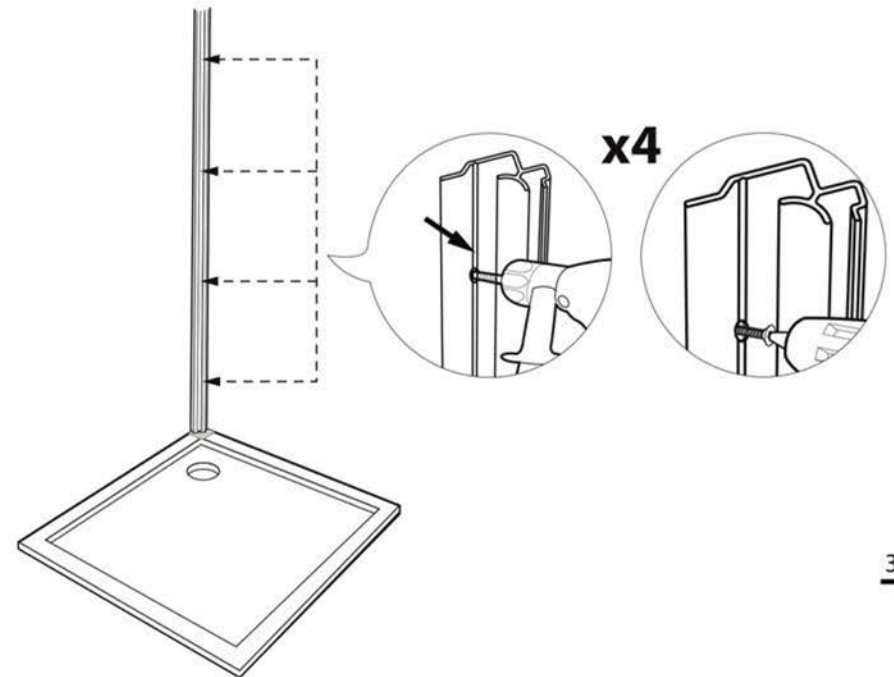
→ A



Value installation

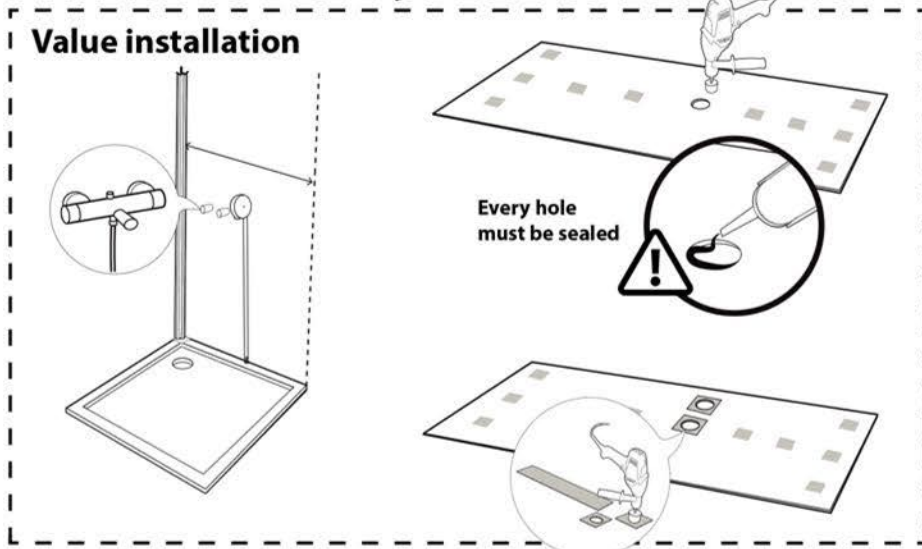
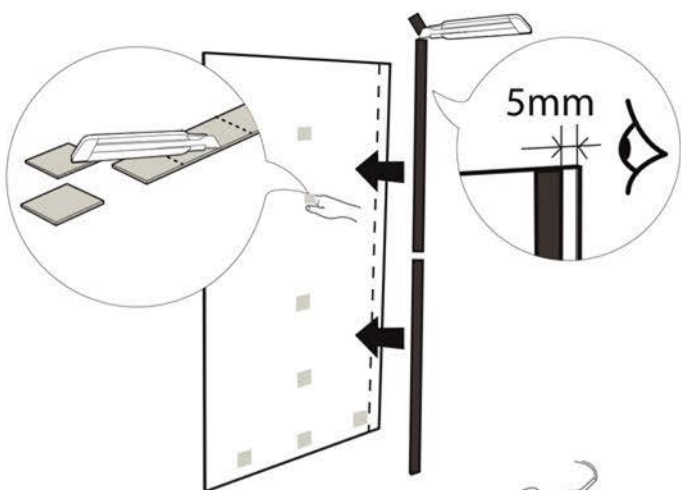


Every hole must be sealed

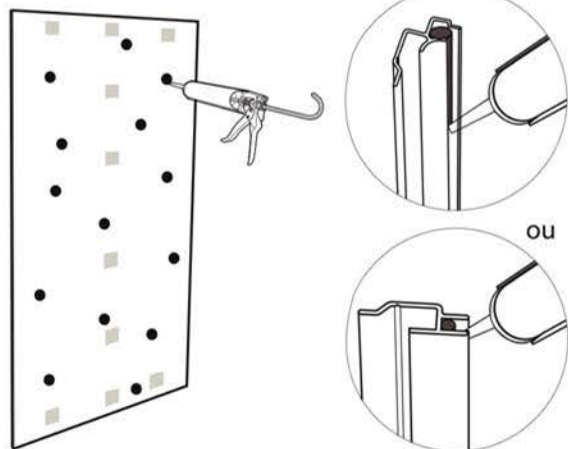


x4

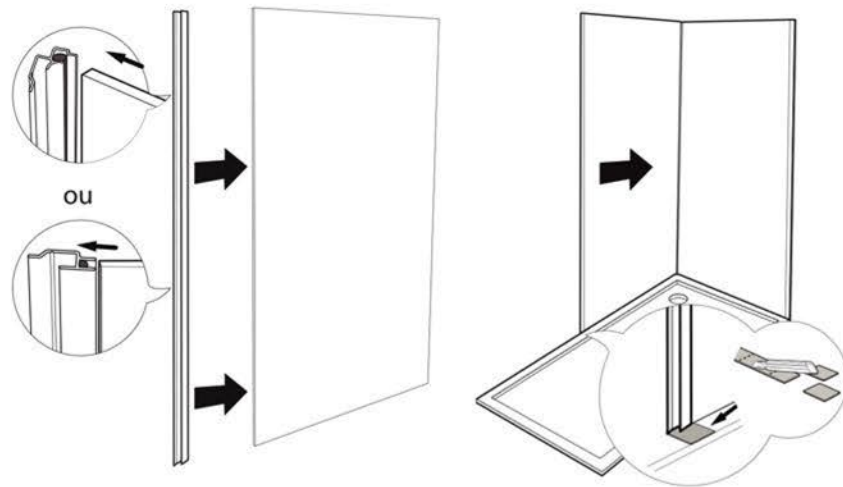
→ **B**
1



2



3



4

